

Specification sheet LX 530

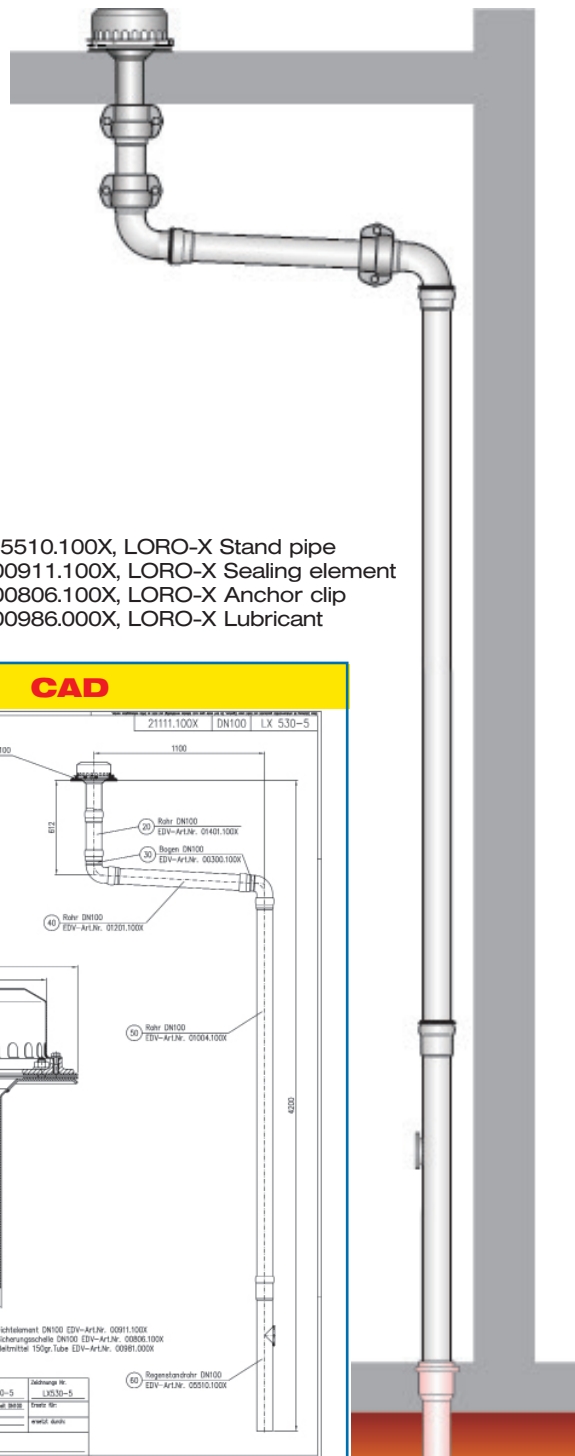
Roof drainage systems DRAINJET® Series 49 (DJ)

Main Drainage

Siphonic flow

Silent Power

Discharge:	27.0 l/sec
Water height:	55 mm
Roof penetration:	-
Diameter:	DN 100
LX-Number:	LX 530
Weir height:	0 mm
Drain:	not ventilated
Downpipe:	not ventilated
Downpipe height:	min 4.2 m
Drainage:	in sewer

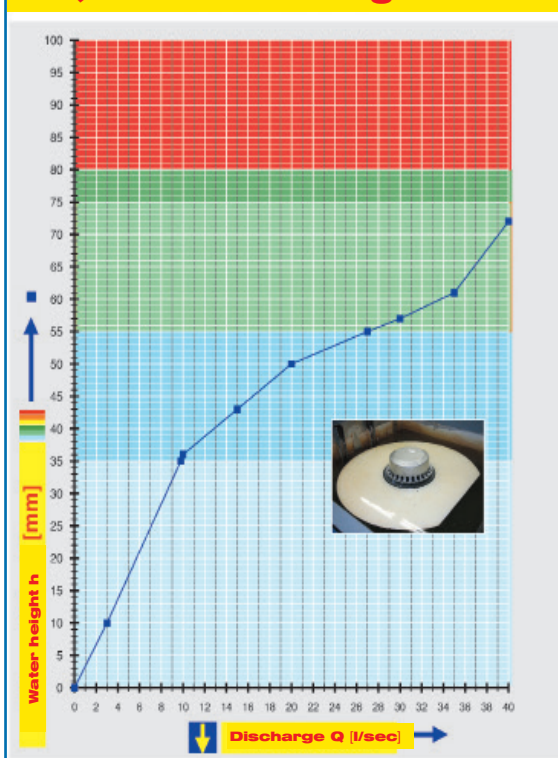


LX 530 Piece list

- 1 x Art.-No. 01401.100X, LORO-X Pipe with one socket
- 2 x Art.-No. 00300.100X, LORO-X Bend
- 1 x Art.-No. 01201.100X, LORO-X Pipe with one socket
- 1 x Art.-No. 01004.100X, LORO-X Pipe with one socket

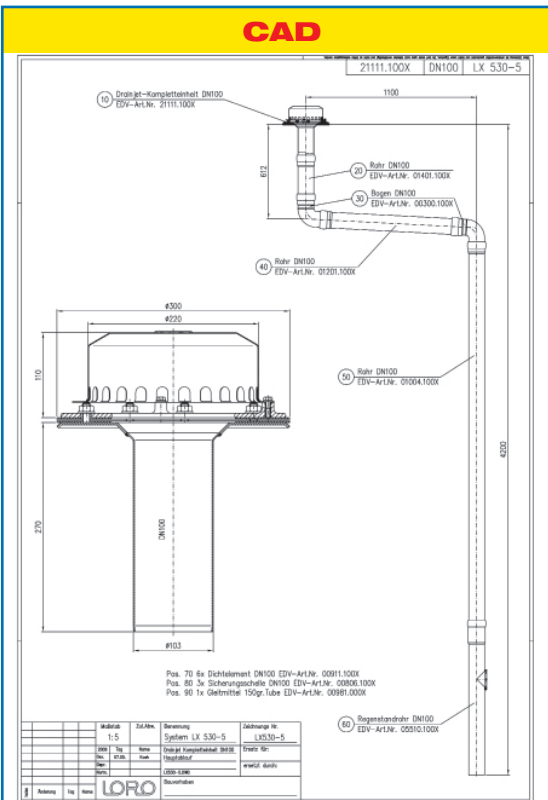
- 1 x Art.-No. 05510.100X, LORO-X Stand pipe
- 6 x Art.-No. 00911.100X, LORO-X Sealing element
- 3 x Art.-No. 00806.100X, LORO-X Anchor clip
- 1 x Art.-No. 00986.000X, LORO-X Lubricant

hQ - Head-Discharge curve



Systempower

CAD



Systemshape

Water height	mm	5	10	15	20	25	30	35	40	45	50	55	60	65	70	75
Discharge	l/sec		3	4,4	5,7	7	8,4	9,8	12,9	16,2	20	27	34	37	38	40
Silent Power																

Choose drain for piece list on page one!

DN 100

without thermal insulation

LX530-5X

**with clamping flange
one-piece**
for bituminous and plastic
roofing sheets



Drain
Art.-No. 21111.100X



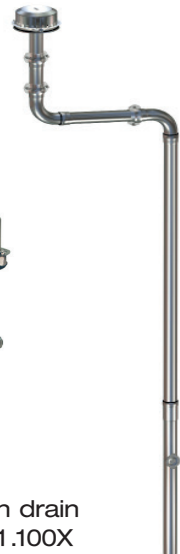
Fire protection drain
Art.-No. 22101.100X



Drain
Art.-No. 21121.100X



Fire protection drain
Art.-No. 22121.100X



with thermal insulation

LX530-7X

**with clamping flange
one-piece**
for bituminous and plastic
roofing sheets



Drain
Art.-No. 21112.100X



Fire protection drain
Art.-No. 22102.100X



Drain
Art.-No. 21122.100X



Fire protection drain
Art.-No. 22122.100X



with thermal insulation and heating

LX530-9X

**with clamping flange
one-piece**
for bituminous and plastic
roofing sheets



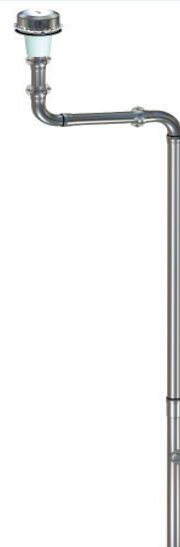
Drain
Art.-No. 21113.100X

LX530-10X

**with clamping flange
two-piece**
for bituminous and plastic
roofing sheets



Drain
Art.-No. 21123.100X



Fire protection drains: The discharge capacity of the DRAINJET fire protection drains is identical to the one of the standard DRAINJET drains.

Heat tracing: Lorowerk recommends to check all drains and pipes with regard to their frost-sensibility. Where necessary, these parts should be upgraded with heat tracing.